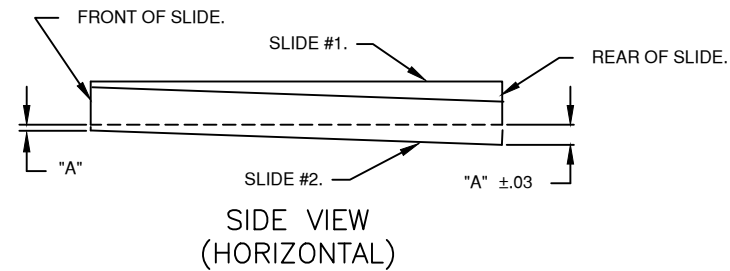
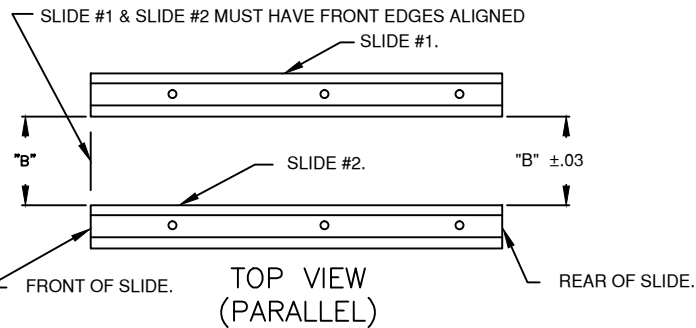


Installation Instructions

RECOMMENDED TOLERANCE FOR MOUNTING STATIONARY & CHASSIS SECTIONS OF SLIDE.

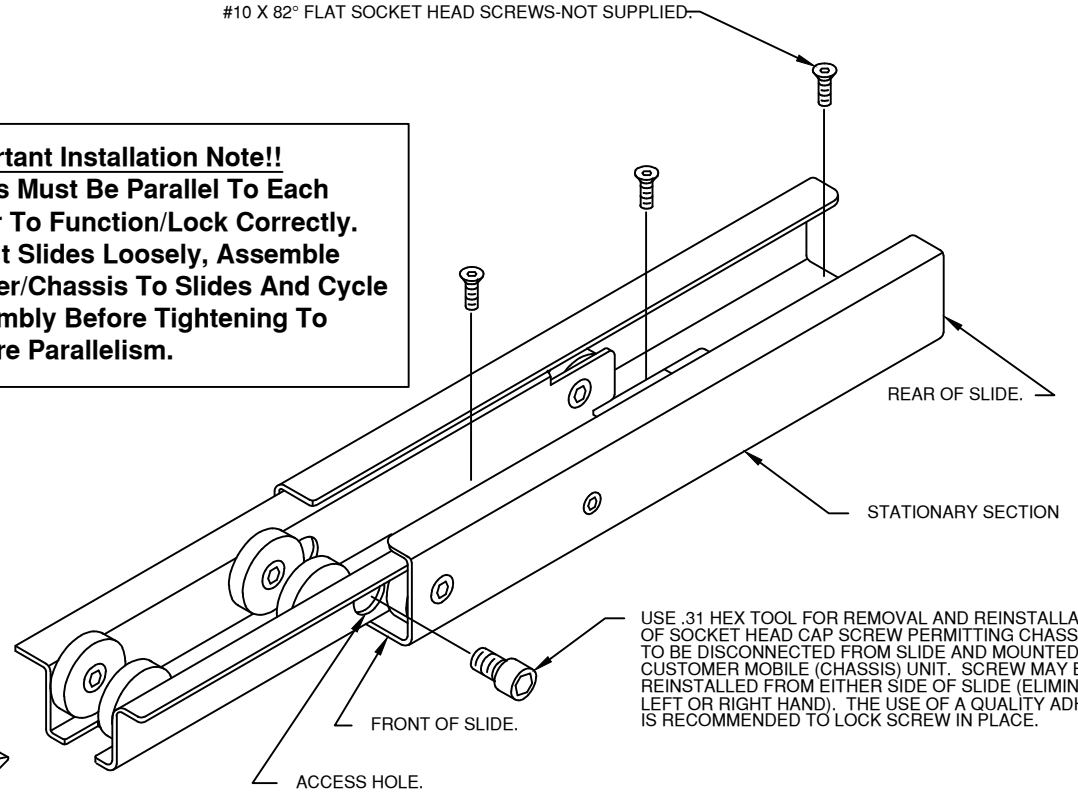


NOTES:

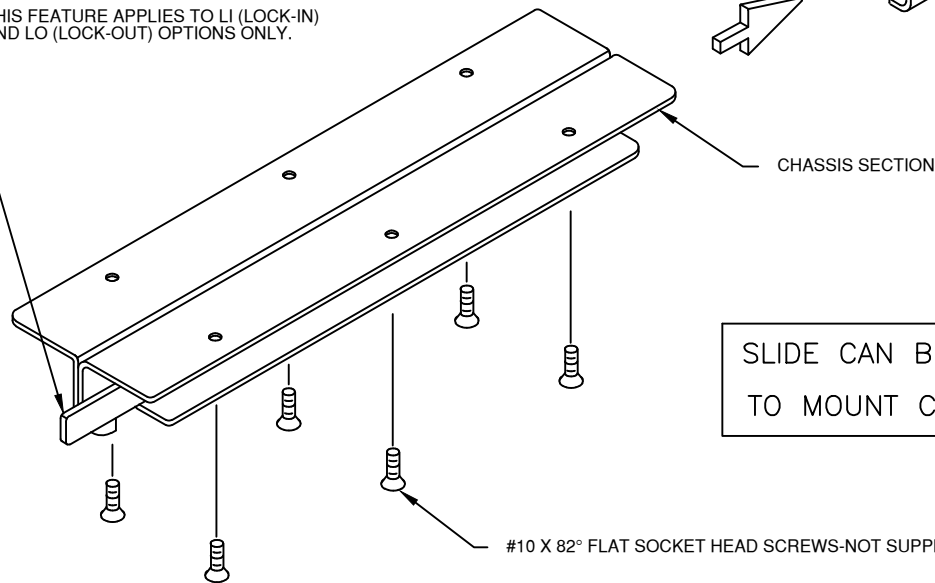
1. NO MOUNTING HARDWARE SUPPLIED.
2. SLIDE DESIGNED FOR COMPRESSION LOADING ONLY.

#10 X 82° FLAT SOCKET HEAD SCREWS-NOT SUPPLIED.

Important Installation Note!!
Slides Must Be Parallel To Each Other To Function/Lock Correctly.
Mount Slides Loosely, Assemble Drawer/Chassis To Slides And Cycle Assembly Before Tightening To Ensure Parallelism.



- WITH SLIDE COMPLETELY CLOSED, DEPRESS HANDLE AND BEGIN MOVEMENT TO RELEASE FROM LI (LOCK-IN) POSITION.
- DEPRESS HANDLE AND BEGIN MOVEMENT TO RELEASE FROM LO (LOCK-OUT) POSITION.
- THIS FEATURE APPLIES TO LI (LOCK-IN) AND LO (LOCK-OUT) OPTIONS ONLY.



SLIDE CAN BE DISASSEMBLED TO MOUNT CHASSIS SECTION

C-938/C-938-XX-LI-LO MOUNTING (CC5200 & CC5201 SERIES SLIDES)



CHASSIS TRAK® Telescoping Slides

www.generaldevices.com

If you have questions please call 317-897-7000
 or send e-mail to sales@generaldevices.com