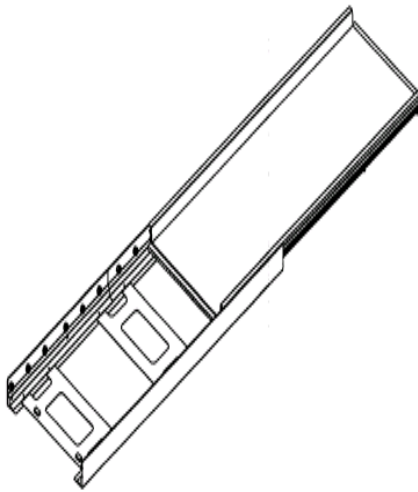




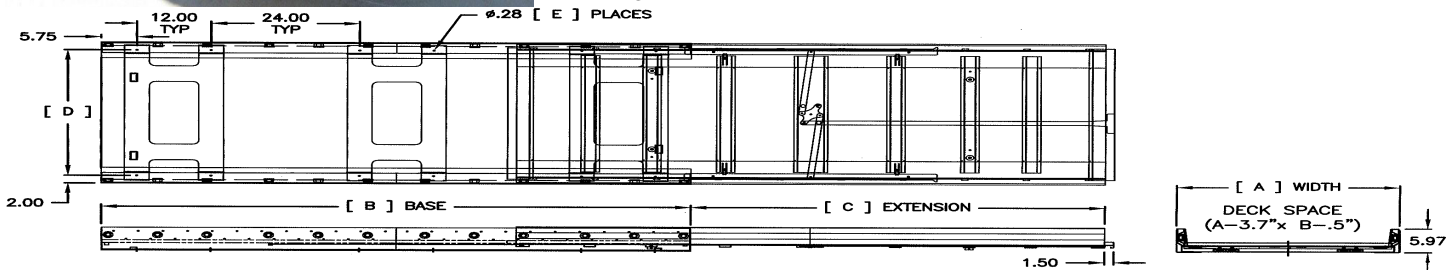
**1-Way Travel Extendable
Equipment Shelves and Battery Trays**

Rugged and Dependable — General Devices Equipment Shelves are constructed with a steel base, angular rollers for increased stability, and a removable plywood deck. One-way travel Battery Trays offer the user the ability to move and extend equipment or batteries and heavy loads approximately 3/4 out of one side. Equipment Shelves feature a lock-in/lock-out release handle and are a great choice for mobile installations such as, Recreational and Bus Transport Vehicles, Utility and Service Work Truck and Equipment Vehicles, and Fire/Emergency Vehicles.



Features/Benefits

- Provides fast, easy, secure access to heavy loads
- 1,000 pound load capacity evenly distributed
- Smooth sliding action on heavy gauge steel
- Secure positioning with multiple locking points
- Black Powder Coat Paint
Other colors available
- Made in the USA



PART NUMBER	[A]	[B]	[C]	[D]	[E]
2FT SLIDE ASSY					
CC5801-00-2436	24.00	36.00	25.20	20.00	4
CC5801-00-2448	24.00	48.00	33.60	20.00	8
3FT SLIDE ASSY					
CC5801-00-3648	36.00	48.00	33.60	32.00	4
CC5801-00-3660	36.00	60.00	42.00	32.00	8
CC5801-00-3672	36.00	72.00	50.40	32.00	12
CC5801-00-3684	36.00	84.00	56.00	32.00	12
CC5801-00-3696	36.00	96.00	67.20	32.00	12

PART NUMBER	[A]	[B]	[C]	[D]	[E]
4FT SLIDE ASSY					
CC5801-00-4848	48.00	48.00	33.60	44.00	8
CC5801-00-4860	48.00	60.00	42.00	44.00	8
CC5801-00-4872	48.00	72.00	50.40	44.00	12
CC5801-00-4884	48.00	84.00	56.00	44.00	12
CC5801-00-4896	48.00	96.00	67.20	44.00	12
5FT SLIDE ASSY					
CC5801-00-6060	60.00	60.00	42.00	56.00	8
CC5801-00-6072	60.00	72.00	50.40	56.00	12
CC5801-00-6084	60.00	84.00	56.00	56.00	12
CC5801-00-6096	60.00	96.00	67.20	56.00	12

Call General Devices Co., Inc. Today

(317) 897-7000 • Fax (317) 898-2917

1410 South Post Road, Indianapolis, Indiana 46239

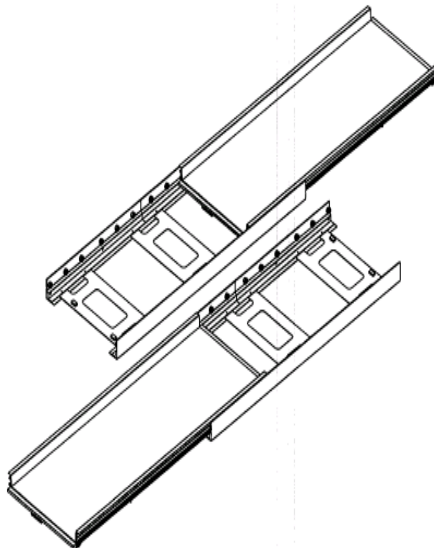
ISO 9001:2000 Registered

www.generaldevices.com



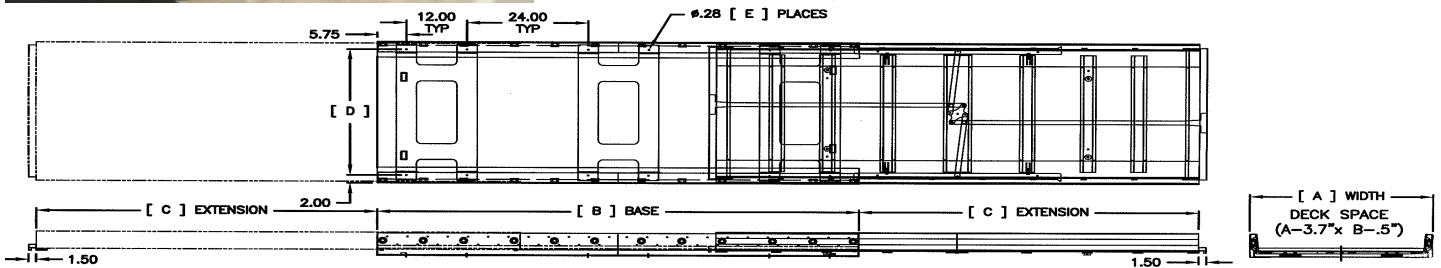
**2 – Way Travel Sliding
Cargo Support Trays**

Rugged and Dependable — General Devices Cargo Bay Sliding Trays are constructed with a steel base, angular rollers for increased stability, and a removable plywood deck. Two-way travel Cargo Support Trays offer the user the ability to move and extend equipment and heavy loads out either side of a vehicle. Cargo Bay Sliding Trays feature a lock-in/lock-out release handle and are a great choice for mobile installations such as, Recreational Vehicles, Bus Transport Vehicles, and Utility Vehicles.



Features/Benefits

- Provides fast, easy, secure access to heavy loads
- 1,000 pound load capacity evenly distributed
- Smooth sliding action on heavy gauge steel
- Secure positioning with multiple locking points
- Black Powder Coat Paint
Other colors available
- Made in the USA



PART NUMBER	[A]	[B]	[C]	[D]	[E]
2FT SLIDE ASSY					
CC5802-00-2436	24.00	36.00	25.20	20.00	4
CC5802-00-2448	24.00	48.00	33.60	20.00	8
3FT SLIDE ASSY					
CC5802-00-3648	36.00	48.00	33.60	32.00	4
CC5802-00-3660	36.00	60.00	42.00	32.00	8
CC5802-00-3672	36.00	72.00	50.40	32.00	12
CC5802-00-3684	36.00	84.00	56.00	32.00	12
CC5802-00-3696	36.00	96.00	67.20	32.00	12

PART NUMBER	[A]	[B]	[C]	[D]	[E]
4FT SLIDE ASSY					
CC5802-00-4848	48.00	48.00	33.60	44.00	8
CC5802-00-4860	48.00	60.00	42.00	44.00	8
CC5802-00-4872	48.00	72.00	50.40	44.00	12
CC5802-00-4884	48.00	84.00	56.00	44.00	12
CC5802-00-4896	48.00	96.00	67.20	44.00	12
5FT SLIDE ASSY					
CC5802-00-6060	60.00	60.00	42.00	56.00	8
CC5802-00-6072	60.00	72.00	50.40	56.00	12
CC5802-00-6084	60.00	84.00	56.00	56.00	12
CC5802-00-6096	60.00	96.00	67.20	56.00	12

Call General Devices Co., Inc. Today

(317) 897-7000 • Fax (317) 898-2917

1410 South Post Road, Indianapolis, Indiana 46239

ISO 9001:2000 Registered

www.generaldevices.com